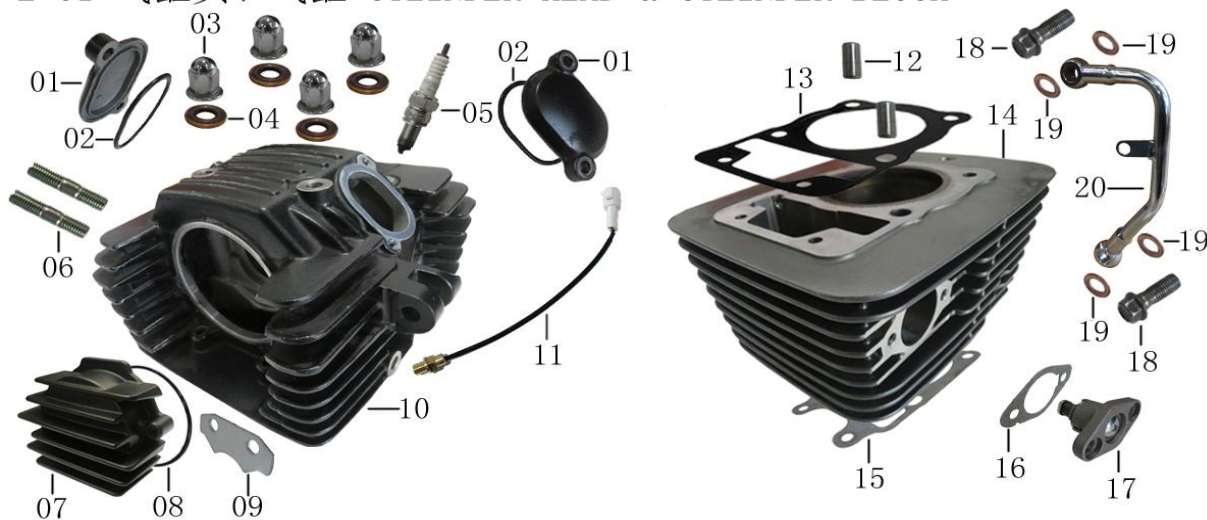


# 172FMM-2P E-01 气缸、气缸头 CYLINDER HEAD & CYLINDER BLOCK

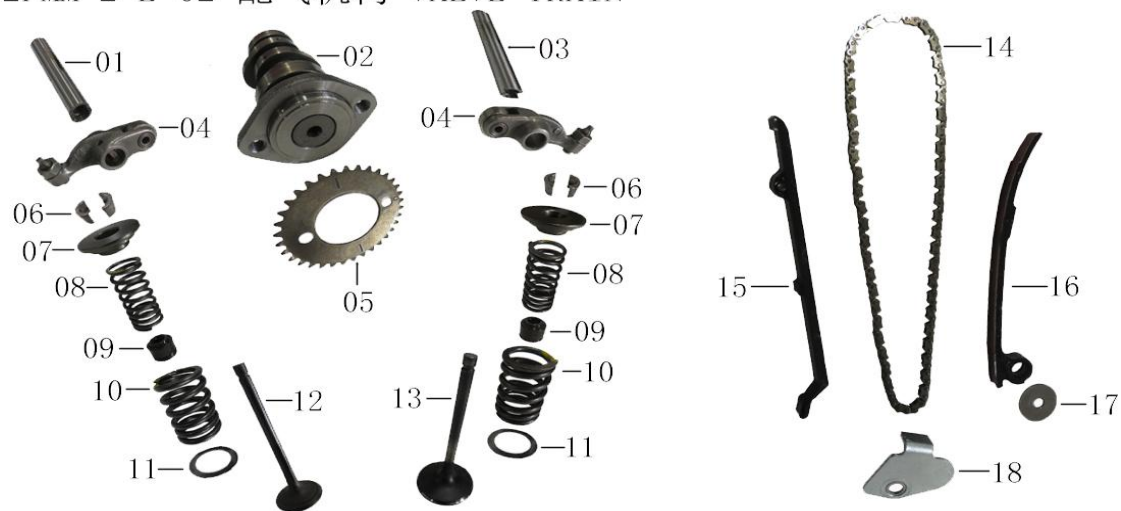
## E-01 气缸头、气缸 CYLINDER HEAD & CYLINDER BLOCK



Part code	Part Name	Description	QTY	Unit	Remark
172FMME01-01	气门盖	Cover, valve	2	PC	
172FMME01-02	气门盖O型圈	O-ring, Cover valve	2	PC	
172FMME01-03	发动机盖形螺母	Cap nut M8-18	4	PC	
172FMME01-04	气缸头垫圈	Copper washer, bolt, cylinder	4	PC	
172FMME01-05	火花塞	Plug, spark	1	PC	
172FMME01-06	螺柱M8×45-Zn c1B	Stud, M8×45	2	PC	
172FMME01-07	气缸头左盖	Cover, cylinder head, LH	1	PC	
172FMME01-08	气缸头左盖O型圈	O-ring, cylinder head cover, LH	1	PC	
172FMME01-09	凸轮轴挡板	Retainer, camshaft	1	PC	
172FMME01-10	气缸头组合	Cylinder Head	1	PC	
172FMME01-11	缸温传感器	Sensor, cylinder temperature	1	PC	
172FMME01-12	气缸头定位销	Dowel pin, cylinder headΦ10×20	2	PC	
172FMME01-13	气缸头密封垫	Gasket, cylinder head	1	PC	
172FMME01-14	气缸体组合	Block unit, cylinder	1	PC	
172FMME01-15	气缸体密封垫	Gasket, cylinder block	1	PC	
172FMME01-16	张紧器密封垫	Gasket, tensioner	1	PC	
172FMME01-17	张紧器总成	Tensioner Assy	1	PC	
172FMME01-18	箱体油管螺栓	Casting tubing bolt	2	PC	
172FMME01-19	箱体油管螺栓垫圈	Box tubing bolt washer	4	PC	
172FMME01-20	外油管组合	Oil pipe set, outer	1	PC	

# 172FMM-2P E-02 配气机构 VALVE TRAIN

## 172FMM-2 E-02 配气机构 VALVE TRAIN



Part code	Part Name	Description	QTY	Unit	Remark
172FMME02-01	摇臂轴 II	Shaft II, rocker arm	1	PC	
172FMME02-02	凸轮轴装配组合	Camshaft Assy.	1	PC	
172FMME02-03	摇臂轴	Shaft, rocker arm	1	PC	
172FMME02-04	摇臂装配组合	Arm Assy., rocker	2	PC	
172FMME02-05	正时从动链轮	Sprocket, timing driven	1	PC	
172FMME02-06	气门锁夹	Clamp, valve	4	PC	
172FMME02-07	气门弹簧上座	Upper seat, spring, valve	2	PC	
172FMME02-08	气门内弹簧	Spring, valve, inner	2	PC	
172FMME02-09	挡油罩	Oil seal, valve stem	2	PC	
172FMME02-10	气门外弹簧	Spring, valve, outer	2	PC	
172FMME02-11	气门弹簧下座	Lower seat, spring, valve	2	PC	
172FMME02-12	排气门	Valve, exhaust	1	PC	
172FMME02-13	进气门	Valve, intake	1	PC	
172FMME02-14	正时链条	Chain, timing	1	PC	
172FMME02-15	导向板	Plate, guPart codee	1	PC	
172FMME02-16	张紧板	Tensioning plate	1	PC	
172FMME02-17	张紧板垫圈	Washer, tensioning plate	1	PC	
172FMME02-18	正时链条限位板	Plate, timing chain limit	1	PC	

# 172FMM-2P E-03 右曲轴箱盖 RIGHT CRANKCASE COVER

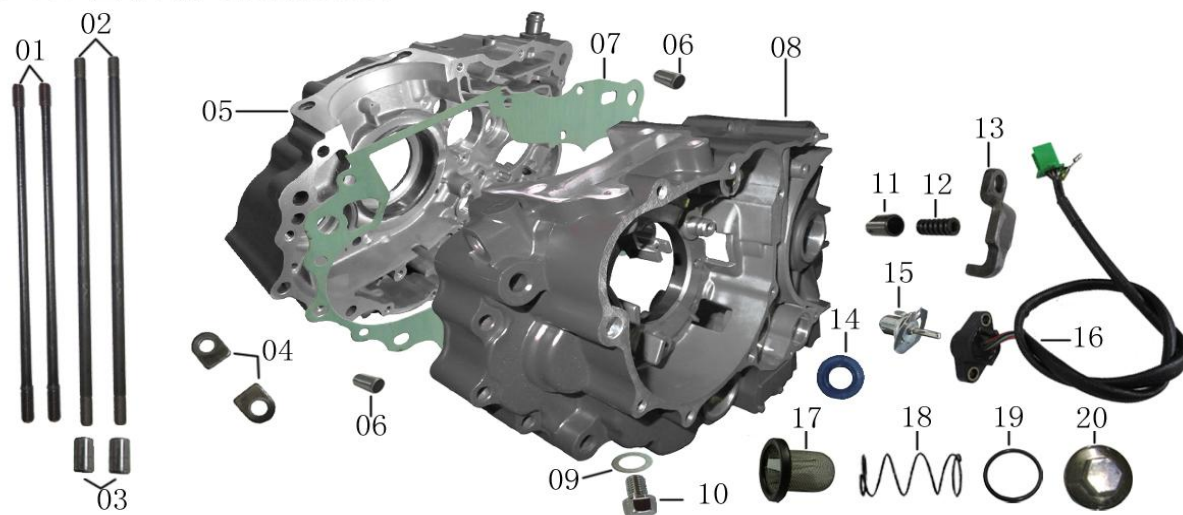
## E-03 右曲轴箱盖 RIGHT CRANKCASE COVER



Part code	Part Name	Description	QTY	Unit	Remark
172FMME03-01	离合器操纵杆组合	Clutch Lever Comp.	1	PC	
172FMME03-02	离合器推杆油封	Oil seal, crankcase cover, RH	1	PC	
172FMME03-03	离合器操纵杆弹簧	Spring, clutch lever	1	PC	
172FMME03-04	离合器操纵杆定位销	Pin, clutch lever	1	PC	
172FMME03-05	机油滤芯盖	Cover, oil filter	1	PC	
172FMME03-06	机油滤芯盖O型圈	O-ring, oil filter cover	2	PC	
172FMME03-07	机油滤芯装配组合	Oil filter	1	PC	
172FMME03-08	机油尺	Dipstick	1	PC	
172FMME03-09	机油尺O型圈	O-ring, dipstick	1	PC	
172FMME03-10	气缸头定位销	Dowel pin $\Phi 8 \times 14$	2	PC	
172FMME03-11	离合器拉索调节架	Stay, clutch cable adjusting	1	PC	
172FMME03-12	右曲轴箱盖油道盖板密封垫	Gasket, Oil duct cover plate, crankcase cover, RH	1	PC	
172FMME03-13	右曲轴箱盖油道盖板	Oil duct cover plate, crankcase cover, RH	1	PC	
172FMME03-14	右曲轴箱盖密封垫	Gasket, crankcase cover, RH	1	PC	
172FMME03-15	右曲轴箱盖油道盖板密封垫 II	Gasket II, Oil duct cover plate, crankcase cover, RH	1	PC	
172FMME03-16	右曲轴箱盖油道盖板 II	Oil duct cover plate II, crankcase cover, RH	1	PC	
172FMME03-17	右曲轴箱盖组合	Crankcase cover, RH	1	PC	

## 172FMM-2P E-04 曲轴箱 CRANKCASE

## E-04 曲轴箱 CRANKCASE



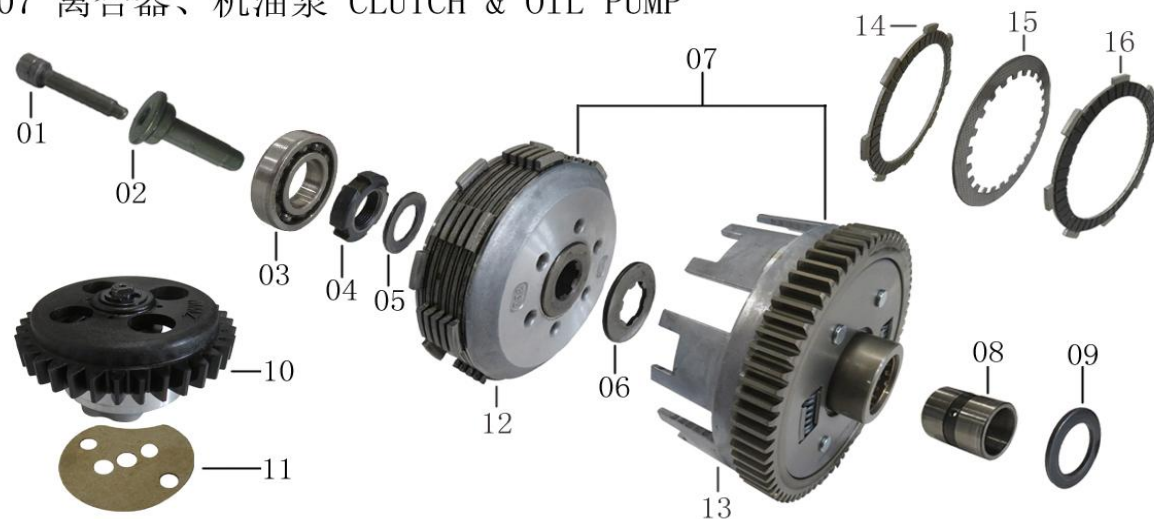
Part code	Part Name	Description	QTY	Unit	Remark
172FMME04-01	气缸螺栓M8×228	Stud B (M8×228)	2	PC	
172FMME04-02	气缸螺栓M8×255	Stud A (M8×255)	2	PC	
172FMME04-03	曲轴箱定位销 (Φ10×14)	Dowel pin, crankcase (Φ10×14)	2	PC	
172FMME04-04	轴承压板	Plate, bearing press	2	PC	
172FMME04-05	右曲轴箱组合	Crankcase comp., RH	1	PC	
172FMME04-06	气缸头定位销	Dowel pin, cylinder head (Φ8×14)	2	PC	
172FMME04-07	曲轴箱密封垫	Gasket, crankcase	1	PC	
172FMME04-08	左曲轴箱组合	Crankcase, LH	1	PC	
172FMME04-09	放油螺塞垫圈	Washer, oil drain plug	1	PC	
172FMME04-10	曲轴箱放油螺塞	Drain plug, crankcase	1	PC	
172FMME04-11	压销	Pin, pressing	1	PC	
172FMME04-12	压销弹簧	Spring, pin	1	PC	
172FMME04-13	压销弹簧压板	Plate, spring press	1	PC	
172FMME04-14	变档轴油封 (Φ14×Φ28×7)	Oil seal, gearshift shaft (Φ14×Φ28×7)	1	PC	
172FMME04-15	档位显示触点组合	Contacter, Gear indication	1	PC	
172FMME04-16	档位指示器	Indicator, gear	1	PC	
172FMME04-17	机油滤网组合	Gauze set, oil filter	1	PC	
172FMME04-18	机油滤网弹簧	Spring, gauze	1	PC	
172FMME04-19	气门盖O型圈(Φ35×Φ3)	O-ring, valve cover (Φ35×Φ3)	1	PC	
172FMME04-20	机油滤网盖	Cover, oil filter gauze	1	PC	





172FMM-2P E-07 离合器、机油泵 CLUTCH & OIL PUMP

E-07 离合器、机油泵 CLUTCH & OIL PUMP



Part code	Part Name	Description	QTY	Unit	Remark
172FMME07-01	离合器顶杆	Lifter, clutch	1	PC	
172FMME07-02	离合器推杆	Rod, push	1	PC	
172FMME07-03	滚动轴承16003	Bearing, plain, 16003	1	PC	
172FMME07-04	初级主动齿轮紧固螺母	Locknut, primary drive gear	1	PC	
172FMME07-05	初级主动齿轮止退垫圈	Lock washer, primary drive gear	1	PC	
172FMME07-06	离合器花键垫圈	Washer, spline, clutch	1	PC	
172FMME07-07	离合器主体组合	Main body, clutch	1	PC	
172FMME07-08	离合器衬套	Bush, clutch	1	PC	
172FMME07-09	离合器衬圈	Collar, clutch	1	PC	
172FMME07-10	机油泵总成	Oil Pump Assy.	1	PC	
172FMME07-11	机油泵密封垫	Gasket, oil pump	1	PC	
172FMME07-12	离合器从动盘装配组合	Driven Disc Comp., Clutch	1	PC	
172FMME07-13	离合器主动盘组合	Drive Disc Comp., Clutch	1	PC	
172FMME07-14	离合器主动片 (长命纸基)	Drive Plate, clutch	4	PC	
172FMME07-15	离合器从动片	Driven Plate, clutch	5	PC	
172FMME07-16	离合器主动片 II (奔马103橡胶基)	Drive Plate, clutch II	2	PC	

# 172FMM-2P E-08 曲轴、活塞 CRANKSHAFT & PISTON

## E-08 曲轴、活塞 CRANKSHAFT & PISTON



Part code	Part Name	Description	QTY	Unit	Remark
172FMME08-01	曲柄连杆组合	Connecting rod, crank	1	PC	
172FMME08-02	活塞	Piston	1	PC	
172FMME08-03	活塞销挡圈	Circlip, piston pin	2	PC	
172FMME08-04	活塞销	Pin, piston	1	PC	
172FMME08-05	活塞环组	Ring set, piston	1	SET	
172FMME08-06	滚动轴承6302/FJK	Bearing, plain, 6302/FJK	1	PC	
172FMME08-07	平衡轴总成	Shaft, balance	1	PC	
172FMME08-08	滚动轴承6204/FJK	Bearing, plain, 6204/FJK	1	PC	
172FMME08-09	平衡轴从动齿轮	Gear, balance shaft driven	1	PC	
172FMME08-10	平衡块	block, balanced	1	PC	
172FMME08-11	磁电机紧固螺母垫圈	Washer, fastening nut $\Phi 14 \times \Phi 28.2 \times 3$	1	PC	
172FMME08-12	磁电机紧固螺母	Nut, magneto fastening	1	PC	
172FMME08-13	滚动轴承28×72×18	Bearing, plain, 28×72×18	1	PC	
172FMME08-14	平衡轴主动齿轮垫圈	Washer, balance shaft drive gear	1	PC	
172FMME08-15	平衡轴主动齿轮组合	Gear comp., balance shaft drive	1	PC	
172FMME08-16	平衡轴主动齿轮垫圈 II	Washer II, balance shaft drive gear	1	PC	
172FMME08-17	初级主动齿轮组合	Gear comp., primary drive	1	PC	
172FMME08-18	离合器衬圈	Collar, clutch	1	PC	
172FMME08-19	初级主动齿轮碟形垫圈	Washer, primary drive gear spring	1	PC	
172FMME08-20	初级主动齿轮紧固螺母	Nut, primary drive gear fastening	1	PC	
172FMME08-21	曲轴右油封10×18×6	Oil seal, crankshaft, RH 10×18×6	1	PC	





# 172FMM-2P E-10 变档机构 GEARSHIFT DEVICE

## E-10 变档机构 GEARSHIFT DEVICE



Part code	Part Name	Description	QTY	Unit	Remark
172FMME10-01	档位定位板螺钉	Screw, gearshift locating plate	1	PC	
172FMME10-02	档位定位板组合	Plate comp., gearshift locating	1	PC	
172FMME10-03	档位定位板垫圈	Washer, gearshift locating plate	1	PC	
172FMME10-04	定位板扭簧	Spring, locating plate torsion	1	PC	
172FMME10-05	六角头螺栓M6×20	Bolt, M6×20	1	PC	
172FMME10-06	弹簧垫圈6-2	Washer, spring, 6	1	PC	
172FMME10-07	变档轮组合	Wheel comp., gearshift	1	PC	
172FMME10-08	变档凸轮	Drum, gearshift	1	PC	
172FMME10-09	变档拨叉轴	Shaft, fork	1	PC	
172FMME10-10	拨叉	Fork	1	PC	
172FMME10-11	变档拨叉轴 II	Shaft II, fork	1	PC	
172FMME10-12	拨叉 II	Fork II	2	PC	
172FMME10-13	变档轴总成	Shaft comp., gearshift	1	PC	
172FMME10-14	回位弹簧止动销	Pin, return spring	1	PC	
172FMME10-15	变档杆总成	Gearshift	1	PC	

